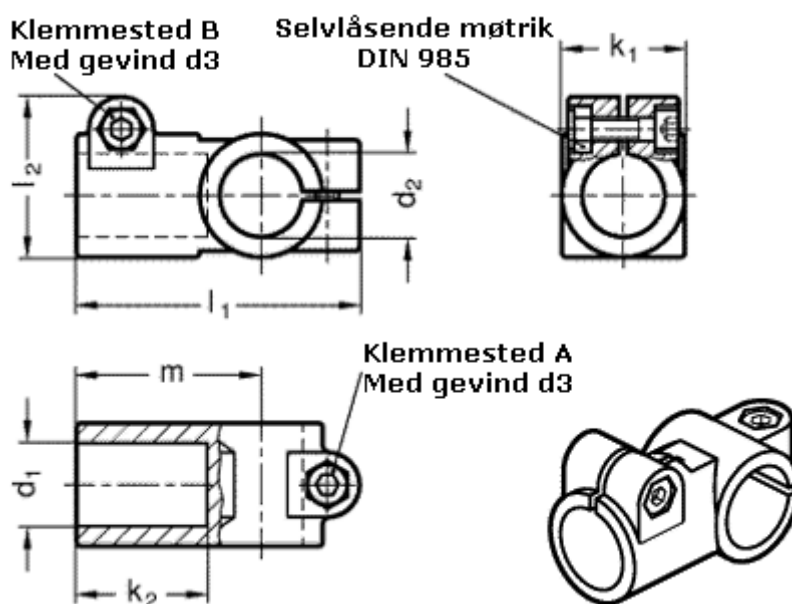


Article number: 20192B40B40652BL

Description: E+G

T-angle clamps GN192-B40-B40-65-2-BL

Measures



d1 = B40

d2 = B40

d3 = M10

k1 = 65

k2 = 75.0

l1 = 148

l2 = 77.5

m = 103